

无菌取样阀

应用

它广泛应用于无菌条件下从罐体或管道系统中取样，并可在每次取样之前和之后进行杀菌处理。

优点

- ◆ 可用蒸汽或酒精进行原位消毒
- ◆ 物料直接用隔膜来密封
- ◆ 取样典型，重复性好
- ◆ 杜绝二次污染，大批取样，微量取样均可

技术参数

- ◆ 最大工作压力（阀关闭）：10bar
- ◆ 最大杀菌温度：121~134℃

材质

- ◆ 阀体：不锈钢304或316L
- ◆ 阀杆：不锈钢304或316L
- ◆ 密封圈：三元乙丙橡胶（EPDM）
聚四氟乙烯（PTFE）

Aseptic Sample Valve

Application

This valve is widely used in sample from under tank or pipeline system aseptic conditions and can sterilize before or after the sample.



Advantages

- ◆ SIP by alcohol or steam
- ◆ Material sealed by diaphragm directly
- ◆ Typical sample, excellent repeatability
- ◆ No second-time contamination, batch or mini sample allowed.

Technical Parameter

- ◆ Max Working Press (Valve Close): 10bar
- ◆ Max Sterilization Temp.: 121~134℃

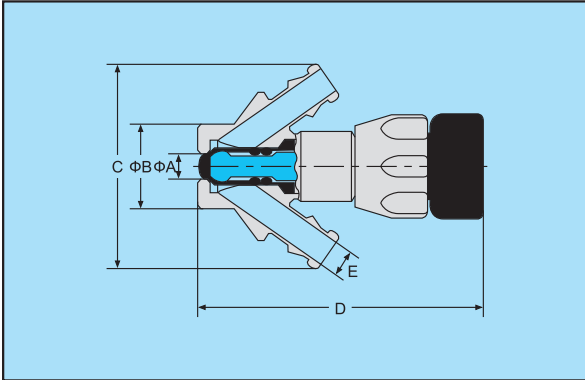
Material

- ◆ Valve body: stainless steel SUS304 or SUS316L
- ◆ Valve stem: stainless steel SUS304 or SUS316L
- ◆ Seal: EPDM, PTFE

焊接式无菌取样阀

型号type: DQW-01

Welded Aseptic Sample Valve

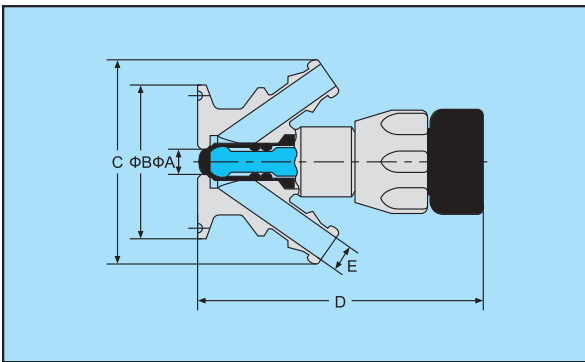


规格size	A	B	C	D	E	F	kg
DN25	8	28	80	90	9	F	0.48

卡式无菌取样阀

型号type: DQW-03

Clamp Aseptic Sample Valve

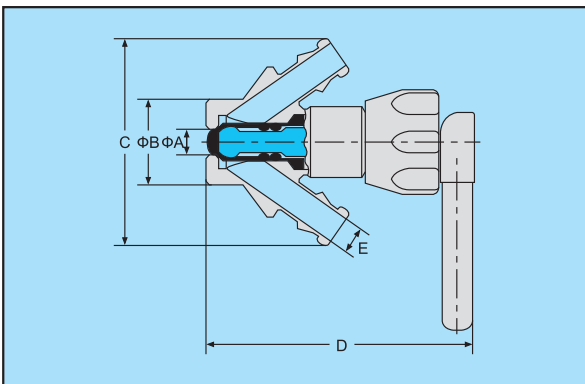


规格size	A	B	C	D	E	F	kg
DN25	8	50.5	80	90	9	F	0.54

焊接式无菌取样阀

型号type: DQW-05

Welded Aseptic Sample Valve

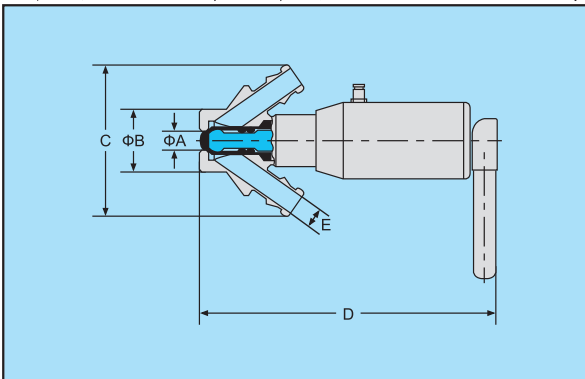


规格size	A	B	C	D	E	F	kg
DN25	8	28	80	86	86	F	0.49

焊式气动无菌取样阀

型号type: DQWQ-01

Welded Pneumatic Aseptic Sample Valve



规格size	A	B	C	D	E	F	kg
DN25	8	28	80	135	9	F	

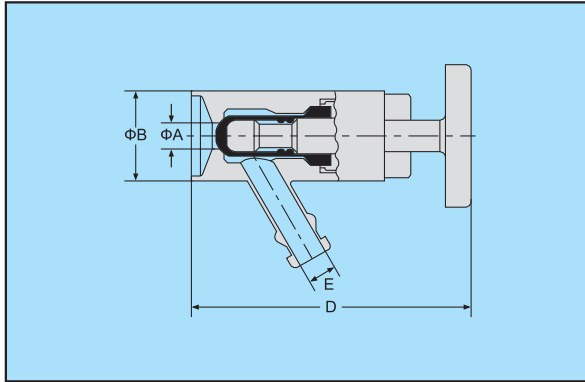
样本所示管径为DIN11850第一系列尺寸，可按客户要求提供第二系列尺寸的产品。

The sizes marked in the handbook is DIN11850 NO.1 serie, No.2 serie products can also be offered by LYSF.

焊接式无菌取样阀

型号type: DQW-06

Welded Aseptic Sample Valve

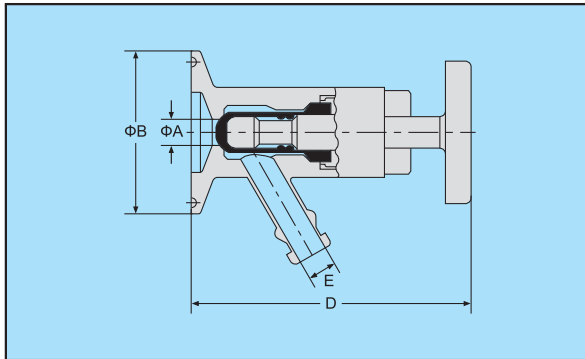


规格size	A	B	C	D	E	F	kg
DN25	8	28		91	9		0.37

卡式无菌取样阀

型号type: DQW-07

Clamp Aseptic Sample Valve

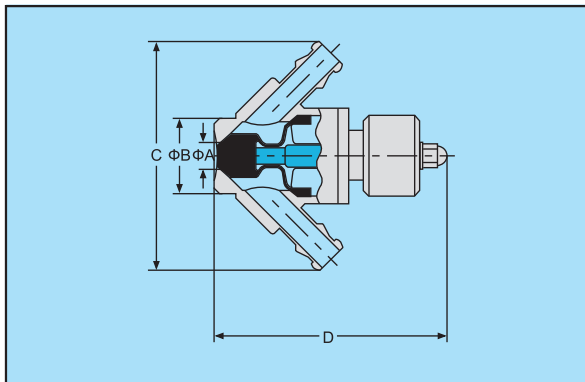


规格size	A	B	C	D	E	F	kg
DN25	8	50.5		91	9		0.42

无菌隔膜取样阀

型号type: DQW-08

Aseptic Diaphragm Sample Valve

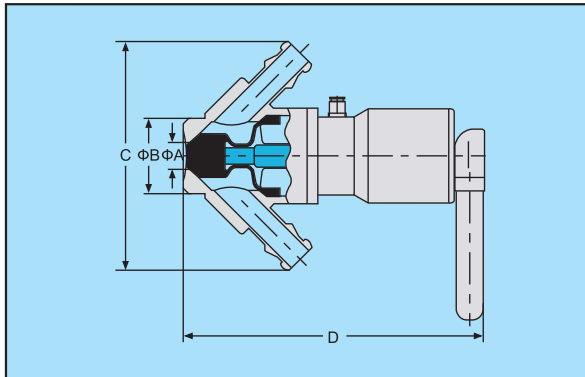


规格size	A	B	C	D	E	F	kg
DN25	8	28	68	85			

无菌气动隔膜取样阀

型号type: DQWQ-08

Aseptic Pneumatic Diaphragm Sample Valve



规格size	A	B	C	D	E	F	kg
DN25	8	28	68	110			

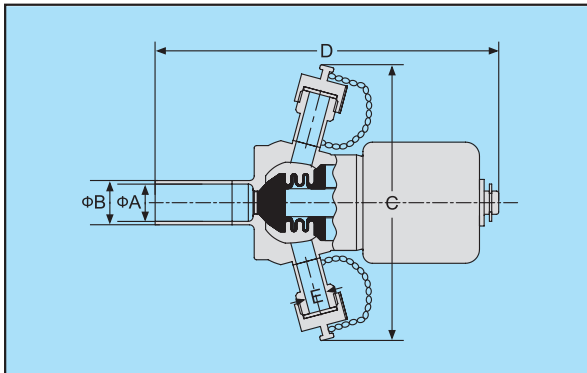
样本所示管径为DIN11850第一系列尺寸，可按客户要求提供第二系列尺寸的产品。

The sizes marked in the handbook is DIN11850 NO.1 serie, No.2 serie products can also be offered by LYSF.

无菌隔膜取样阀(PTFE)

型号type: IQY-08

Aseptic Diaphragm Sample Valve

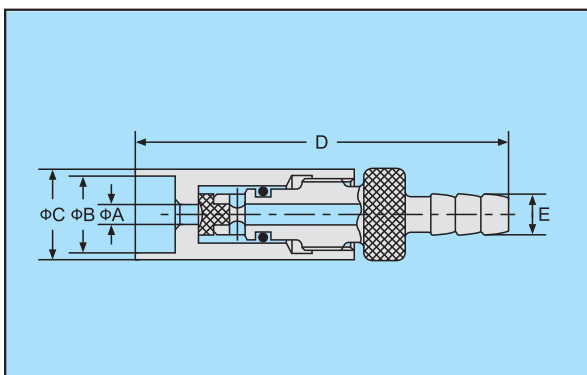


规格size	A	B	C	D	E	F	kg
DN15	15	18	18	148	10		

软管式取样阀

型号type: IQY-07

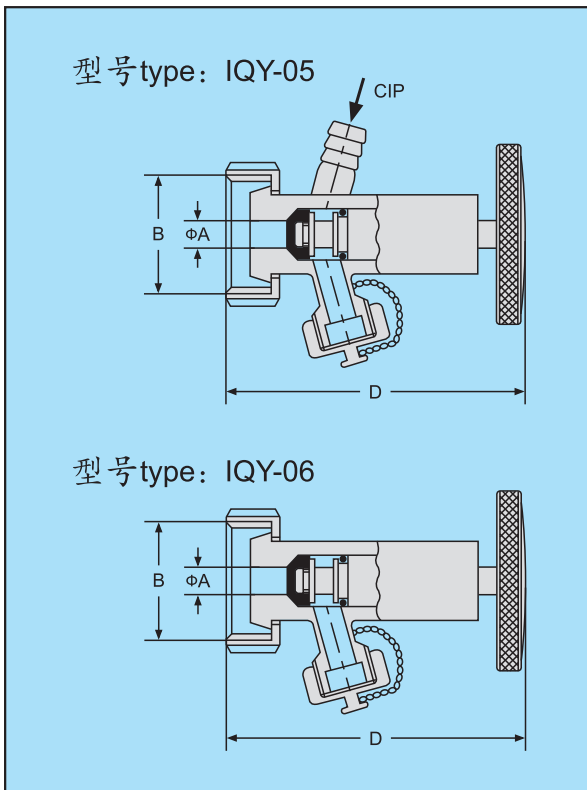
Hose Sample Valve



规格size	A	B	C	D	E	F	kg
1/2 ^s	4.5	9.7	12.7	57	6		
3/4 ^s	4.5	16	19	70	10		
1 ^s	4.5	22.4	25.4	70	14		

活接式取样阀

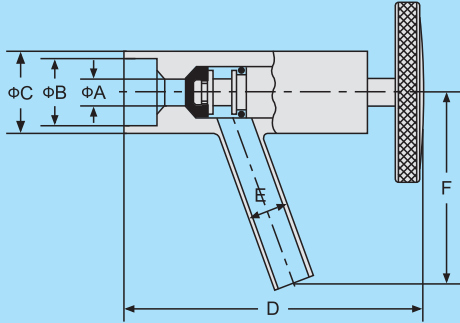
Nut Sample Valve



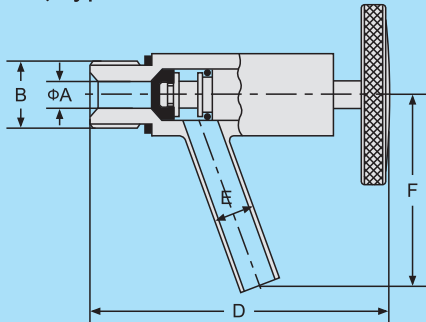
规格size	A	B	C	D	E	F	kg
G3/4 ^s	4.5	G3/4"		65			0.77
DN20	10	Rd44×1/6"		100			0.76

焊接式/螺纹式取样阀

型号type: IQY-01



型号type: IQY-02



型号type: IQY-01

Welded Sample Valve

规格size	A	B	C	D	E	F	kg
1/2 ^s	4.5	9.7	12.7	75	10	50	0.15
3/4 ^s	4.5	16	19	75	10	50	0.14
1 ^s	10	22.4	25.4	100	10	50	0.39
DN25	10	25	28	100	10	50	0.39

型号type: IQY-02

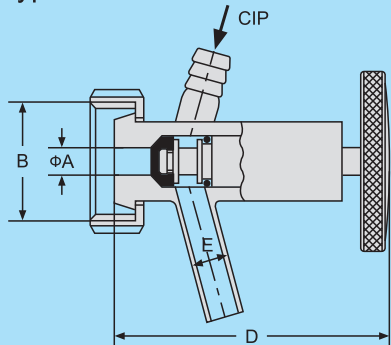
Male Sample Valve

规格size	A	B	C	D	E	F	kg
3/8 ^s	4.5	G3/8"		75	10	50	
1/2 ^s	4.5	G1/2"		75	10	50	
3/4 ^s	10	G3/4"		100	10	50	
1 ^s	10	G1"		100	10	50	

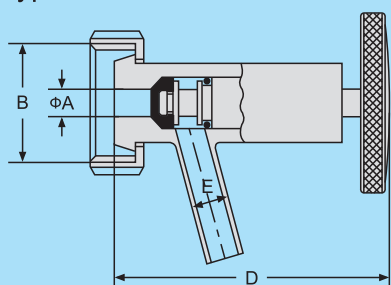
活接式取样阀

Nut Sample Valve

型号type: IQY-03



型号type: IQY-04



规格size	A	B	C	D	E	F	kg
G3/4 ^s	4.5	G3/4"		65	10		
DN20	10	Rd44×1/6"		100	10		