

安全阀/调压阀

应用

公司生产多种形式结构的安全阀、调压阀，广泛适用于食品、饮料、乳制品、啤酒等行业。

结构形成及其特点

- ◆ 具有结构简单、造型美观、调压快捷、维护方便等一系列优点
- ◆ 压力控制具有可调性，可在全范围内任意调节
- ◆ 阀体材料选用不锈耐酸钢制成，表面光亮洁净，密封件采用特制食品橡胶制成，产品符合卫生规范
- ◆ 安装时应注意流体输入流向，不得反向输入



- ◆ Featuring Simple Structure, Attractive Appearance, Quick Pressure Adjustment, Convenient Maintenance
- ◆ Adjustable Pressure Control, Random Adjustment in Full Range
- ◆ Acid-Proof Stainless Steel Valve Body, Bright and Cleaning Surface, Food Rubber Seat, the product meets Sanitary Requirement
- ◆ Pay Attention to Liquid Input Direction, Reversal input is Forbidden

技术参数

- ◆ 工作压力：≤10bar
- ◆ 控制压力范围：0.5~10bar
- ◆ 公称通径：DN25~DN100
- ◆ 密封形式：食品橡胶或金属
- ◆ 介质温度：-10℃~+120℃
- ◆ 工作介质：液体物料、气体

Technical Parameter

- ◆ Service Pressure: ≤10bar
- ◆ Pressure Control Range: 0.5~10bar
- ◆ Nominal Diameter: DN25~DN100
- ◆ Seal Style: Food Rubber or Metal
- ◆ Media Temp: -10℃~120℃
- ◆ Service Media Liquid Material, Gas

Safety/Pressure Ragulating Valve

Appli Cation

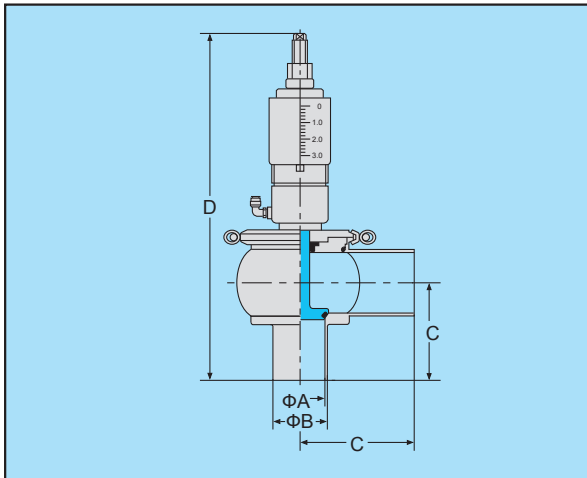
LYSF Multi-Structure Safety Valve and pressure-Regulator valve are widely used in Food、Beverage, Diary and Beer Industry.

Structure Style and Features

焊接式调压阀

型号type: DTY-01

Welded Pressures Valve



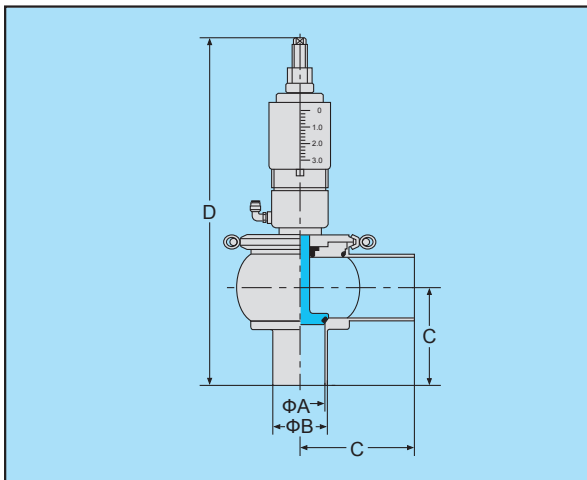
规格size	A	B	C	D	E	F	kg
DN32	31	34	60	314			
40	37	40	60	317			
50	49	52	75	414			
65	66	70	100	453			
80	81	85	100	465			
100	100	104	125	457			
125	125	129	150	495			

控制压力: 0.5~5bar
 Range of pressure adjustment:0.5~5bar
 带开启气缸可进行CIP清洗
 With open cylinder for CIP
 气源压力范围: 4~6bar
 Range of air source pressure:4~6bar

焊接式调压阀

型号type: ITYQ-01

Welded Pressure Valve



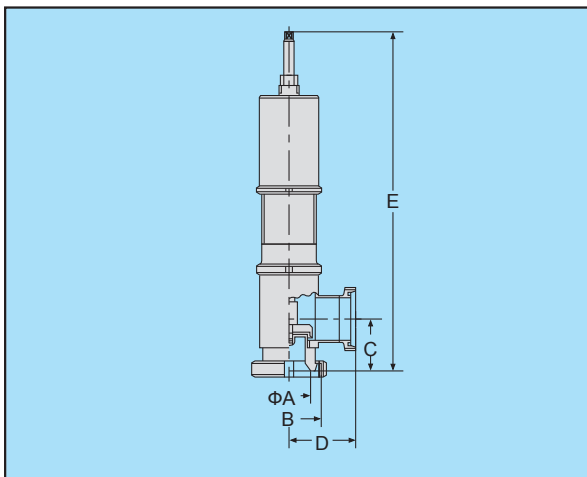
规格size	A	B	C	D	E	F	kg
1.5 ^s	35	38	60	316			
2 ^s	48	51	75	410			
2.5 ^s	59.5	63.5	100	450			
3 ^s	72.1	76.1	100	455			
4 ^s	97.6	101.6	125	457			

控制压力: 0.5~5bar
 Range of pressure adjustment:0.5~5bar
 带开启气缸可进行CIP清洗
 With open cylinder for CIP
 气源压力范围: 4~6bar
 Range of air source pressure:4~6bar

活接式安全阀

型号type: DAQ-03

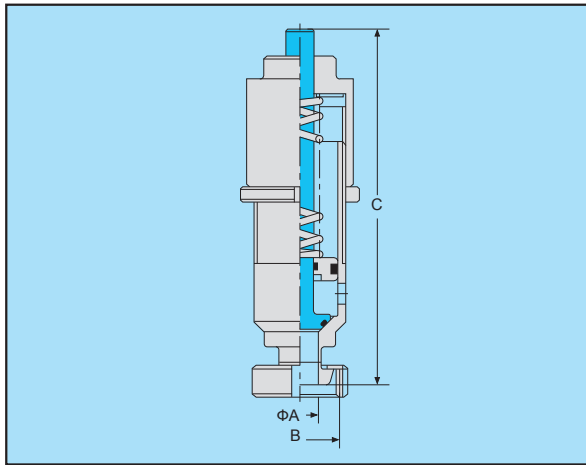
Nut Safety Valve



规格size	A	B	C	D	E	F	kg
DN40	37	Rd65×1/6"	65	85	400		
50	49	Rd78×1/6"	70	100	480		
65	66	Rd95×1/6"	80	100	510		
80	81	Rd110×1/4"	108	115	650		
100	100	Rd130×1/4"	120	130	675		

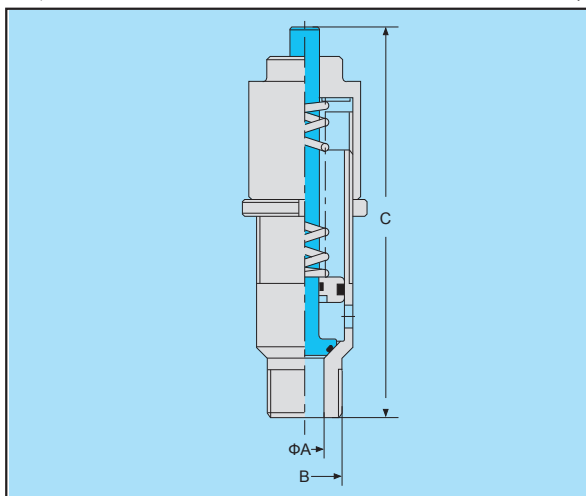
控制压力: 0.5~5bar
 Range of pressure adjustment:0.5~5bar
 适用于气体

样本所示管径为DIN11850第一系列尺寸, 可按客户要求提供第二系列尺寸的产品。
 The sizes marked in the handbook is DIN11850 NO.1 serie, No.2 serie products can also be offered by LYSF.

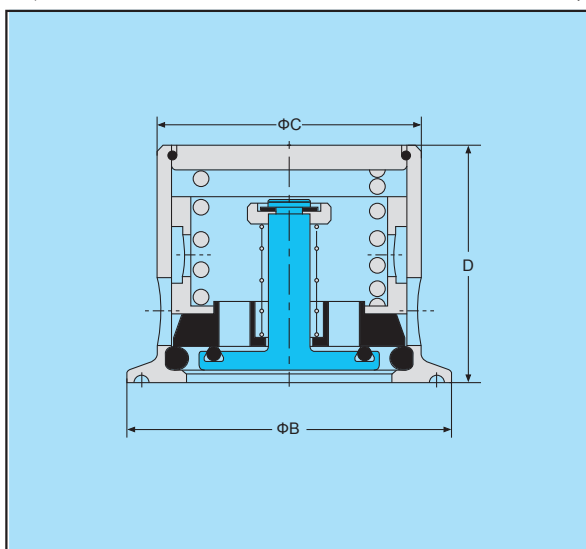
活接式安全阀
型号type: DAQ-01
Nut Safety Valve


规格size	A	B	C	D	E	F	kg
DN25	25	Rd52×1/6"	235				
40	37	Rd58×1/6"	250				

卫生阀门系列

螺纹式安全阀
型号type: DAQ-02
Screwed Safety Valve


规格size	A	B	C	D	E	F	kg
DN15	15	G1/2"	235				0.97
25	25	G1"	235				2.70

卡式呼吸阀
型号type: DAQ-04
Clamp Safety Valve


规格size	A	B	C	D	E	F	kg
DN40		50.5	48	63			
50		64	63	76			
65		91	77	79			
80		106	90	100			
1.5°		50.5	48	63			
2°		64	63	76			
2.5°		77.5	78	94			
3°		91	77	79			

开启压力: 0.001~0.003Mpa
 Open Valve Pressure:0.001~0.003Mpa
 排气压力: 0.005~0.2Mpa (由弹簧决定)
 Open Valve Pressure:0.005~0.2Mpa
 温度: 最大110℃
 Temperature:Max110℃
 适用于小型储罐

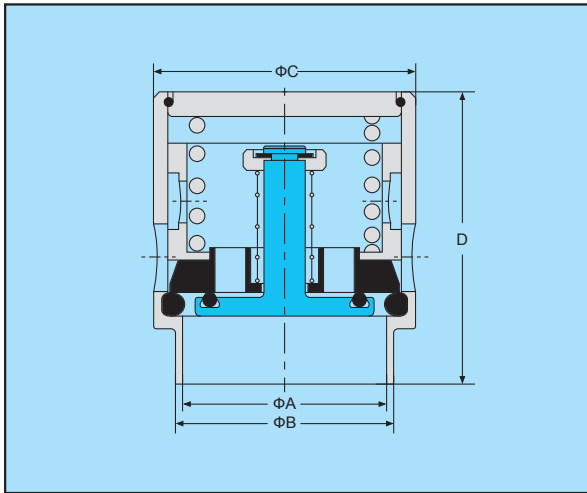
样本所示管径为DIN11850第一系列尺寸, 可按客户要求提供第二系列尺寸的产品。

The sizes marked in the handbook is DIN11850 NO.1 serie, No.2 serie products can also be offered by LYSF.

焊式呼吸阀

型号type: DAQ-05

Welded Safety Valve



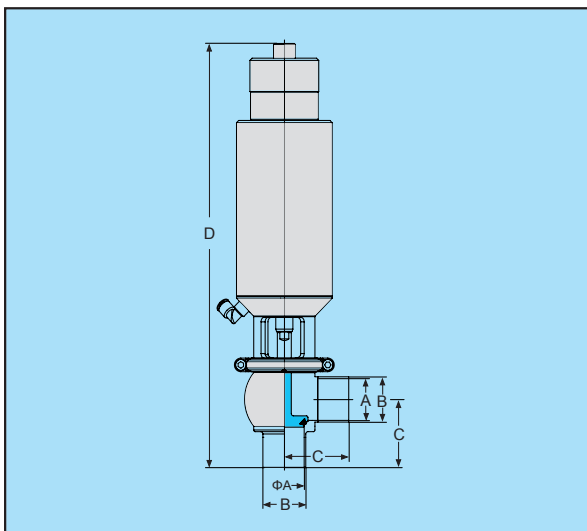
规格size	A	B	C	D	E	F	kg
DN40	37	40	48	65			
50	49	52	63	75			
65	66	70	77	75			
80	81	85	90	119			
1.5 ^s	35.1	38.1	48	65			
2 ^s	47.8	50.8	63	75			
2.5 ^s	59.5	63.5	78	75			
3 ^s	72.1	76.1	77	119			

开启压力: 0.001~0.003Mpa
 Open Valve Pressure:0.001~0.003Mpa
 排气压力: 0.005~0.2Mpa (由弹簧决定)
 Open Valve Pressure:0.005~0.2Mpa
 温度: 最大110℃
 Temperature:Max110℃
 适用于小型储罐

微调调压阀

型号type: DAQ-06

Welded Pressures Valve



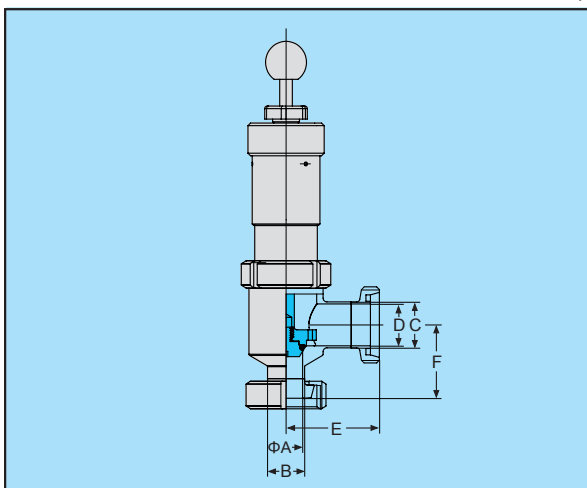
规格size	A	B	C	D	E	F	kg
DN40	37	40	60	375			
50	49	52	75	415			
65	66	70	100	530			
80	81	85	100	550			
100	100	104	125	600			
1.5 ^s	35	38	60	375			
2 ^s	47.8	50.8	75	415			
2.5 ^s	59.5	63.5	100	530			
3 ^s	72.1	76.1	100	550			
4 ^s	97.6	101.6	125	600			

控制压力: 5~10bar
 Range of pressure adjustment:5~10bar
 带开启气缸可进行CIP清洗
 With open cylinder for CIP
 气源压力范围: 4~6bar
 Range of air source pressure:4~6bar

活接式调压阀

型号type: DAQ-07

Nut Pressures Valve



规格size	A	B	C	D	E	F	kg
DN25/25	25	28	28	25	73	52	
25/32	25	28	34	31	73	56	
25/40	25	28	40	37	73	59	

控制压力: 0.5~2bar
 Range of pressure adjustment:0.5~2bar

样本所示管径为DIN11850第一系列尺寸, 可按客户要求提供第二系列尺寸的产品。

The sizes marked in the handbook is DIN11850 NO.1 serie, No.2 serie products can also be offered by LYSF.