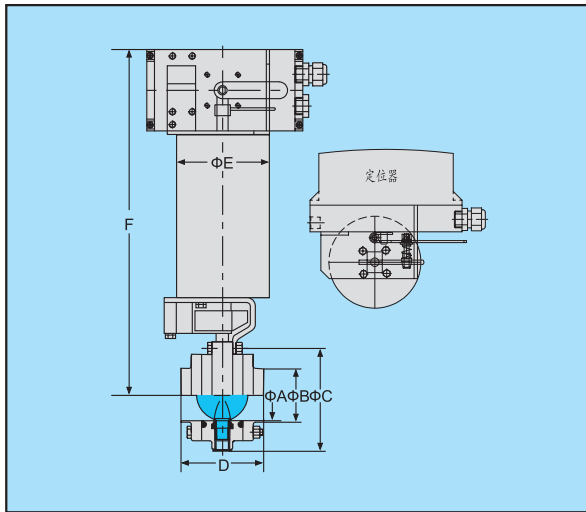


流量调节气动蝶阀

型号type: DTG-06

Flow Control Pneumatic Butterfly Valve



规格size	A	B	C	D	E	F	kg
DN32	31	34	84	70	60	280	
40	37	40	91	75	85	335	
50	49	52	104	80	85	340	
65	66	70	125	82	85	350	
80	81	85	143	85	85	360	
100	100	104	161	85	108	405	
125	125	129	192	95	108	410	
150	150	154	221	106	133	520	

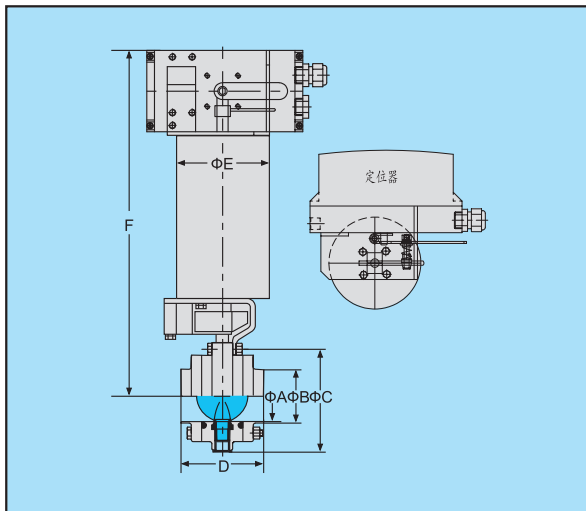
注: 信号反馈装置为可以配置选项

Signal feed back device can be chosen or not.

流量调节气动蝶阀

型号type: ITG-06

Flow Control Pneumatic Butterfly Valve



规格size	A	B	C	D	E	F	kg
1°	22.4	25.4	69	70	60	280	
1.25°	29	32	78	70	60	280	
1.5°	35	38	86	75	85	328	
2°	48	51	94	80	85	335	
2.5°	59.5	63.5	117	82	85	345	
3°	72.1	76.1	130	85	85	355	
3.5°	85	89	143	85	85	360	
4°	97.6	101.6	163	85	108	405	

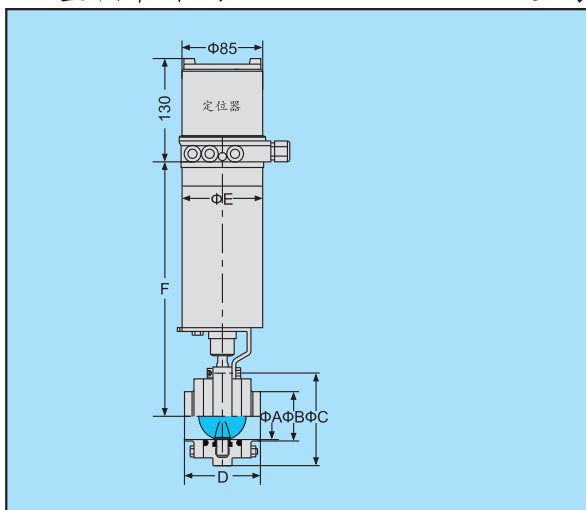
注: 信号反馈装置为可以配置选项

Signal feed back device can be chosen or not.

流量调节蝶阀

型号type: DTG-07

Flow Control Butterfly Valve



规格size	A	B	C	D	E	F	kg
DN25	25	28	78	70	85	180	
32	31	34	84	70	85	180	
40	37	40	91	75	85	235	
50	49	52	104	80	85	240	
65	66	70	125	82	85	250	
80	81	85	143	85	85	260	
100	100	104	161	85	85	305	

注: 信号反馈装置为可以配置选项

Signal feed back device can be chosen or not.

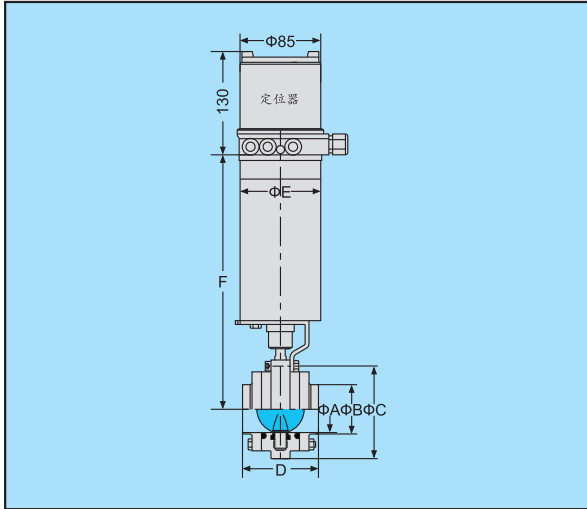
样本所示管径为DIN11850第一系列尺寸, 可按客户要求提供第二系列尺寸的产品。

The sizes marked in the handbook is DIN11850 NO.1 serie, No.2 serie products can also be offered by LYSF.

流量调节蝶阀

型号type: ITG-07

Flow Control Butterfly Valve



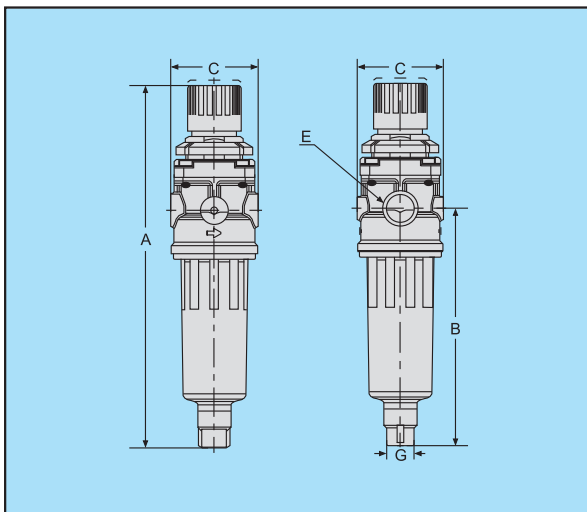
规格size	A	B	C	D	E	F	kg
1 ^s	22.4	25.4	69	70	85	180	
1.25 ^s	29	32	78	70	85	180	
1.5 ^s	35	38	86	75	85	228	
2 ^s	48	51	94	80	85	235	
2.5 ^s	59.5	63.5	117	82	85	245	
3 ^s	72.1	76.1	130	85	85	255	
3.5 ^s	85	89	143	85	85	260	
4 ^s	97.6	101.6	163	85	85	305	

注：信号反馈装置为可以配置选项
Signal feed back device can be chosen or not.

减压器 / 过滤器二联件

型号type: ND

Vacuum Filter

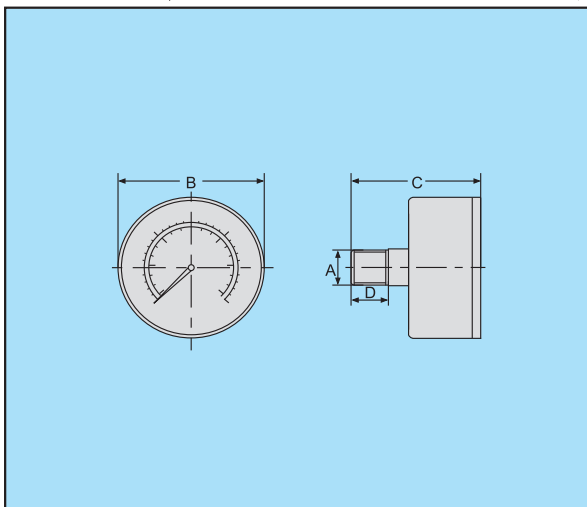


规格size	A	B	C	G	E	F	kg
N108-DOO	167	101	45	G1/8	G1/8		
N104-DOO	167	101	45	G1/8	G1/4		
N208-DOO	191	125	45	G1/8	G1/8		
N204-DOO	191	125	45	G1/8	G1/4		

轴向压力表

型号type: SMP

Pressure Gauge



规格size	A	B	C	D	测量范围	kg
SM043-P04	R1/8	F41	39	9	0~4bar	
SM043-P06	R1/8	F41	39	9	0~6bar	
SM043-P10	R1/8	F41	39	9	0~10bar	
SM043-P12	R1/8	F41	39	9	0~12bar	
SM053-P04	R1/8	F52	41	9	0~4bar	
SM053-P06	R1/8	F52	41	9	0~6bar	
SM053-P10	R1/8	F52	41	9	0~10bar	
SM053-P12	R1/8	F52	41	9	0~12bar	
SM063-P04	R1/4	F60	47	12	0~4bar	
SM063-P06	R1/4	F60	47	12	0~6bar	
SM063-P12	R1/4	F60	47	12	0~12bar	